

D

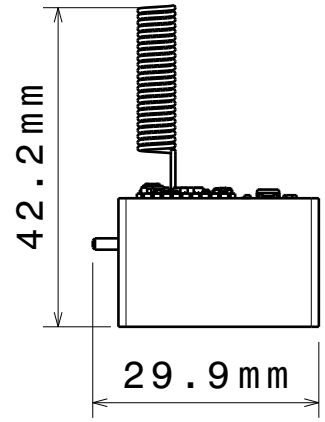
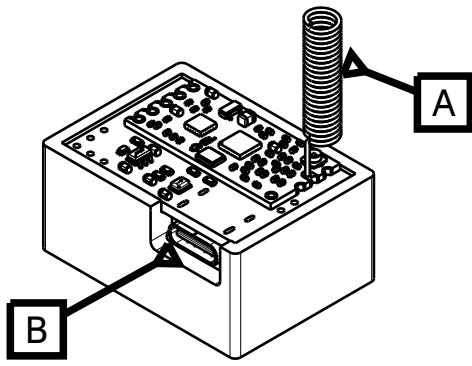
C

B

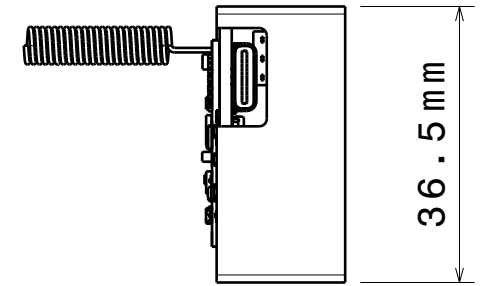
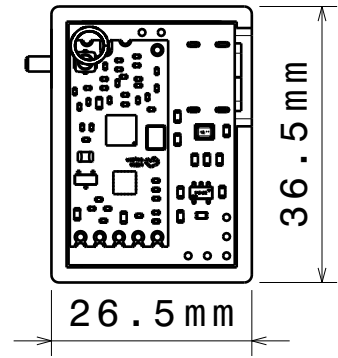
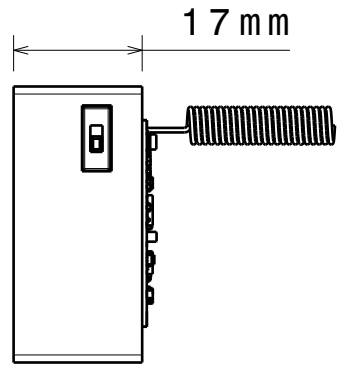
A

4

4



A	Antena
B	USB-C
C	Switch on/off

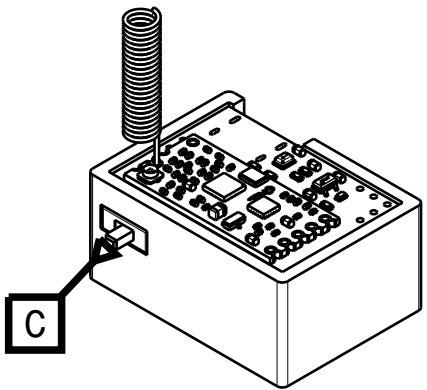


3

3

2

2



CDA-IPN

DRAWING TITLE
Módulo de validación de altura

DRAWN BY
HC2026 TEAM

DATE
28/04/2026

CHECKED BY
SalvadorSC

DATE
28/04/2026

SIZE A4	DRAWING NUMBER 001	REV 1
-------------------	------------------------------	-----------------

DESIGNED BY
AndresAR

DATE
28/04/2026

SCALE 1:1	WEIGHT(kg) 50g	SHEET 1/1
--------------	-------------------	--------------

1

1

D

A